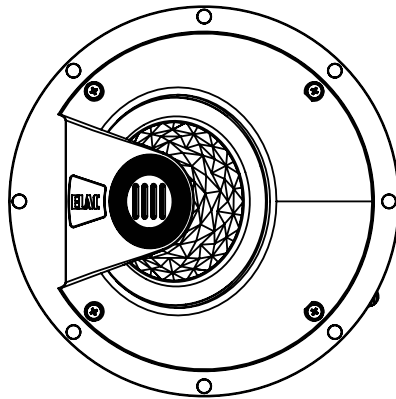
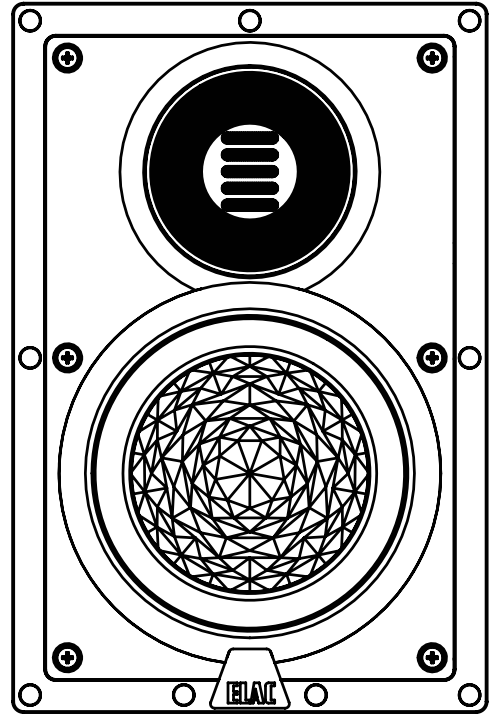


IC-VJ63-W



IC-VJT63-W



IW-VJ63-W

OPERATING INSTRUCTIONS

IC-VJ63-W Vertex Series III - 6" In-Ceiling Speaker

IC-VJT63-W Vertex Series III - 6" In-Celing Angled Home Theater Speaker

IW-VJ63-W Vertex Series III - 6" In-Wall Speaker

INTRODUCTION

Congratulations on your purchase of these fine loudspeakers and welcome to the ELAC family. Ever since we started in 1926, we have striven to create the very best products available. Our passionate team members are always looking for ways to improve your listening enjoyment. We thank you for making this choice.

These ELAC Vertex III Series In-Ceiling speakers are designed to accurately reproduce the full range of music and film sound, while requiring absolutely no floor space. This compact format is ideal for applications where traditional loudspeakers would be impractical or impossible. In-Ceiling speakers are ideal for Surround Sound applications, anywhere space is a consideration, or to bring music into additional rooms of the house.

Please take a few minutes to carefully read this manual before you get started. Also, be sure to keep this manual in a safe place should you need to refer to it in the future.

The information contained in this manual is applicable to these Elac In-Ceiling and In-Wall Speakers:

IC-VJ63-W Vertex Series III 6" In-Ceiling Speaker

IC-VJT63-W Vertex Series III 6" In-Ceiling Angled Home Theater Speaker

IW-VJ63-W Vertex Series III 6" In-Wall Speaker

These Speakers are designed for use in-ceiling or in-wall, and can be used for home theaters.

SAFETY INSTRUCTIONS

Use Only As Directed

- Observe all warnings on the speaker and in this manual.
- Please check the speaker for damage before use.
- Carefully consider the proper location before beginning the installation.
- Observe the correct polarity when connecting these speakers, according to the instructions in this manual.

Location

- In-wall speakers should be mounted close to, or slightly above ear level whenever possible.
- Allow at least 1.5” of clearance between the wall “cut-out” and any studs or joists.
- Please refer to the specification chart for the required depth for each model.
- Use the included template for proper “cut-out” of drywall.
- Do not install the speaker near any heat sources such as radiators, heating valves, stoves or apparatus (including amplifiers) ,or in areas where there is a risk of explosion.
- Do not install the speaker near transformers. EMF fields can cause unwanted noise.
- Do not install the speaker in locations that are extremely humid, exceptionally hot, cold or prone to vibrations.

Overload

- Extreme overload of the device due to very high volume may cause damage to individual components. Because of the possible danger, you should never leave loudspeakers under extreme overload conditions unattended.

Volume

- CAUTION: Continuous high volume may cause severe damage to your hearing. Please listen responsibly.

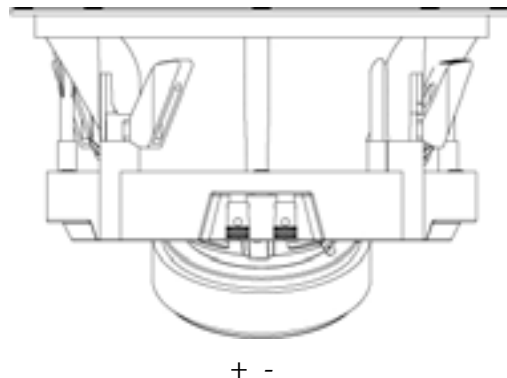
Disposal

- The packaging is made from recyclable materials. Please be responsible & dispose of these packaging materials in an environmentally sensitive manner.

INSTALLATION

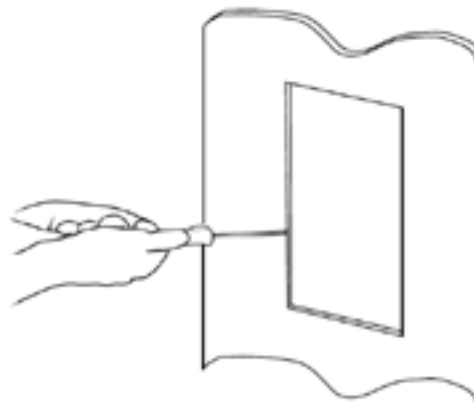
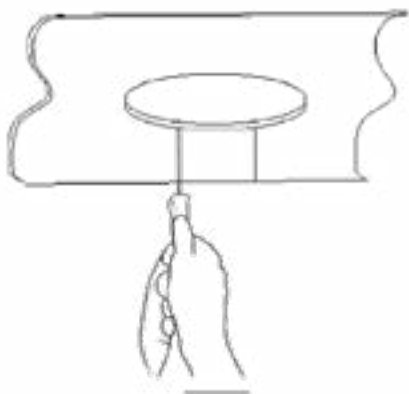
Hooking Up The Wires

- For shorter distances up to 25 feet, 18 gauge speaker wire will be sufficient. For longer distances, 16 gauge speaker wire should be used. The speaker terminals will accommodate up to a 14-gauge speaker wire. Leave two feet of extra speaker wire at the speaker end to make installation easier. Do not use nails, staples or other metal objects to secure the speaker wire. The resulting short-circuit could affect your system's performance & could also damage components in your system, especially the amplifier. To minimize interference & external hum keep the speaker wires away from other electrical wires and cables.
- When connecting the speaker wires it is important to retain the correct polarity. Be sure that the wire attached to the "+", red, positive, or hot terminal on your ELAC speaker connects to the "+", red, positive, or hot terminal on the other component.



Mounting the speaker

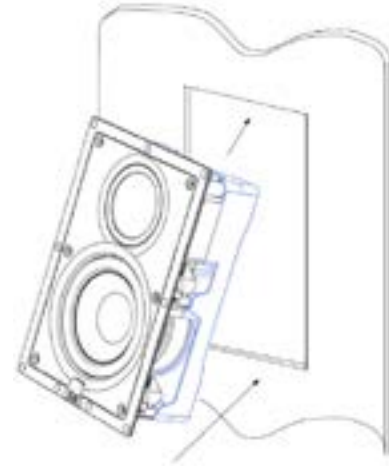
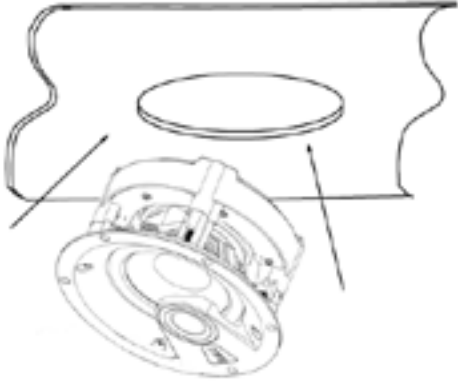
- Yes, you will be cutting a hole in the ceiling or wall. With the right tools and a little extra preparation & care, installing these in-ceiling speakers or in-wall can be quick and easy.



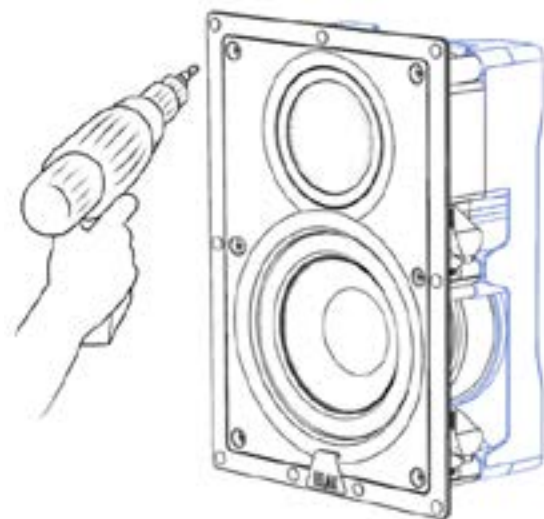
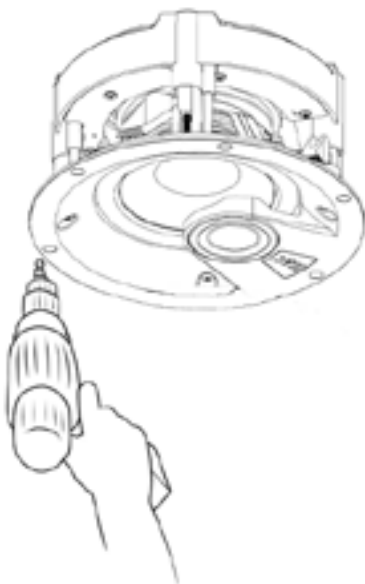
- Carefully cut out the hole drawn on the paper template. (Note: the inside circle (rectangle for in-wall) of the template can be used to shield the woofer while you paint the frame.)
- Next, position the template where you have chosen to mount the speaker and trace along the inside edge. Make your cuts along this line. A utility knife will make clean cuts in drywall. A keyhole saw or electric jigsaw may also be used. Do your best to keep the cuts neat, however the frame will overlap the hole to hide any rough edges.
- At this point, with the wall open, run the speaker cables into position leaving about two feet of extra cable exposed at the opening. Strip the ends of the cable back by approximately ¼ inch (6mm) to expose the bare wire.

INSTALLATION - continued

- Attach the speaker cables to the speaker terminals, observing the correct polarity.
- Remove the grille from the speaker frame. The grille is held on by magnetic attraction.



- With the grille removed, the speaker can be inserted into the mounting hole. First make sure all the tabs are rotated inwards and then connect the speaker wires. The connector posts are spring loaded so the bare ends of the speaker wire can be pushed into the holes of the post after the end cap is depressed. Once inserted the end cap can be released and the wire will be held firm. Make sure no stray strands of wire are exposed that could short across between the two posts.
- Use a Phillips head screwdriver – Turn each mounting screw clockwise to rotate the quick-turn mounting bracket into place. Further turning of the screw will tighten the mounting bracket until it is firmly against the wall. DO NOT over-tighten the screw to prevent breakage of the mounting bracket.
- When the speaker is mounted firmly in place, replace the magnetic grill



(Drivers shown in the above pictures are not representative for IC-VJ63-W, IC-VJT63-W In-Ceiling or IW-VJ63-W In-Wall Speakers.)

SPECIFICATIONS

	IC-VJ63-W	IC-VJT63-W	IW-VJ63-W
Speaker type	2-way, rear side open	2-way, rear side open	2-way, rear side open
Tweeter	Jet Folded Ribbon	Jet Folded Ribbon	Jet Folded Ribbon
Woofers	6 inch (152 mm) Crystal Aluminum Cone	6 inch (152 mm) Crystal Aluminum Cone	6 inch (152 mm) Crystal Aluminum Cone
X-Over Frequency	3 kHz	3 kHz	3 kHz
Frequency Range	45 to 40,000 Hz	45 to 40,000 Hz	45 to 40,000 Hz
Sensitivity	88 dB at 2.83 v / 1m	88 dB at 2.83 v / 1m	88 dB at 2.83 v / 1m
Recommended Amplifier Power	40 to 120 W	40 to 120 W	40 to 120 W
Nominal Power / Peak Power Handling	120 W / 160 W	120 W / 160 W	120 W / 160 W
Nominal Impedance	4 Ω	4 Ω	4 Ω
Finish	Soft Paint Black Baffle	Soft Paint Black Baffle	Soft Paint Black Baffle
Grille	Metal Magnetic Paintable	Metal Magnetic Paintable	Metal Magnetic Paintable
Accessories Included	Cutout Template, manual	Cutout Template, manual	Cutout Template, manual
Dimensions (diameter or H and W)	9.31 inch (236,5 mm)	9.31 inch (236,5 mm)	H = 12.69 inch (322,3 mm) W = 8.48 inch (215,3 mm)
Mounting Depth	4.37 inch (111 mm)	6.81 inch (173 mm)	3.94 inch (100 mm)
Net weight	7.83 lbs (3,55 Kg)	9.15 lbs (4,15 Kg)	11.24 lbs (5,1 Kg)

ELAC Americas Inc

North America Limited Liability Warranty

Passive Speakers (No Built-in Amplifier)

ELAC Americas Inc. Warrants to the original purchaser that this product will be free from defects and or workmanship for a period of 3 (three) years from the original date of purchase. During this time, repair or replacement of parts will be free of charge to the original owner. (See below limitations.) Shipping to and return from the repair center will be the responsibility of the original purchaser.

Limitations

- Warranty begins on the date of original purchase from an authorized ELAC Americas Inc dealer.
- Product is warranted only if used in home applications within the maximum power rating specified in this manual. Commercial use of this product is not warranted.
- Product that has been modified or altered in any way will not be warranted.
- Product that has been abused or subjected to faulty equipment will not be warranted.
- Products with defaced or removed serial numbers will not be warranted.

If service is required

In the event that service is required, please contact ELAC America at 714-252-8843 or at customerservice@elac.us to arrange for service or replacement. You will be responsible to provide proof of purchase (copy or original sales receipt). Shipping to and from our repair center will be the responsibility of the original purchaser.

Warranty Outside of North America

This warranty applies to products purchased in the United States and Canada. For warranty claims outside of North America, please contact the local dealer/distributor in the country of purchase.

ELAC AMERICAS INC.
11145 KNOT AVE. SUITES E & F
CYPRESS, CA 90630
www.elac.com

ELAC ELECTROACUSTIC GMBH
FRAUNHOFERSTRASSE 16
D-24118 KIEL, GERMANY

ELAC The life of sound.