

# ELAC

MURO PRO SERIES

MODELS : OD-M61T, OD-M81T



70/100V INDOOR/OUTDOOR SPEAKER

## OWNER'S MANUAL



*Thank you, and Congratulations on bringing home an ELAC Muro Pro speaker.*

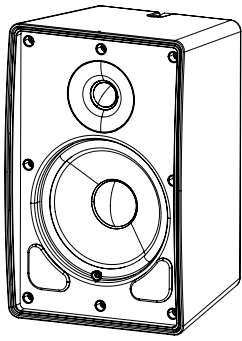
## **WALL-MOUNTED** **Sound with Style and Strength**

Introducing the new ELAC Muro Pro Outdoor On-Wall Speaker, where modern design meets exceptional versatility. Featuring a clean, sleek profile with no large visible knobs, this speaker seamlessly integrates into any environment, indoors or outdoors. Engineered for durability, it boasts an IP66 rating to withstand the elements, while removable port plugs allow you to transform its design into a ported configuration for enhanced bass performance when weather conditions permit. With its refined aesthetics and innovative functionality, the Muro Pro Outdoor On-Wall Speaker is the perfect blend of style, adaptability, and premium sound quality.

Enjoy!

**JOURNEY TOGETHER THROUGH - THE LIFE OF SOUND**

# WHAT'S INCLUDED



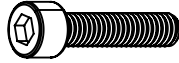
Speaker x 2



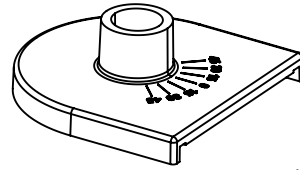
Brackets x 2



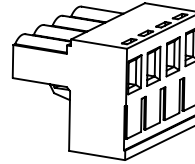
Allen key



M6 x 25mm x 4

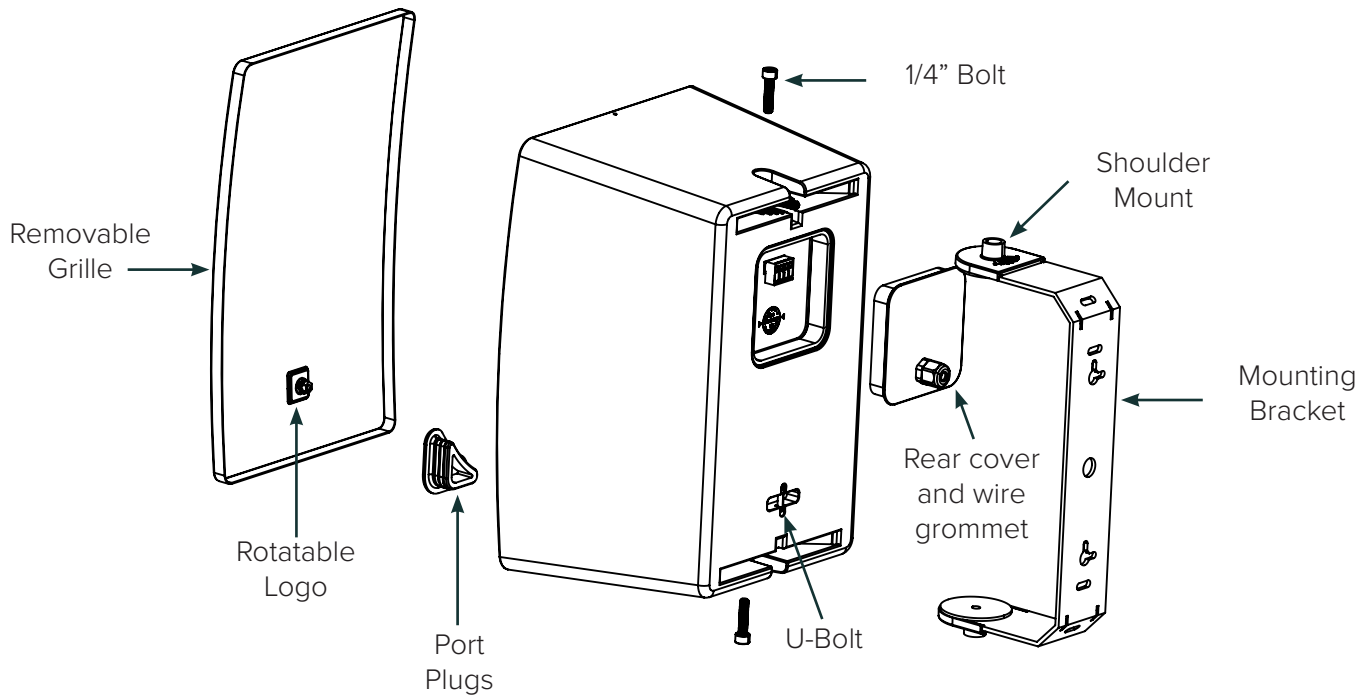


Shoulder Mount  
15 degree angles



Euroblock

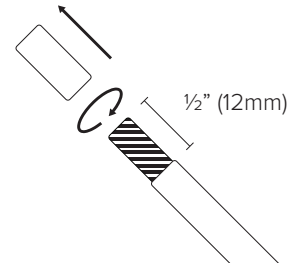
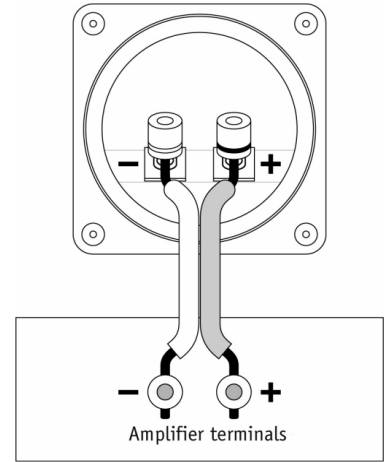
# PRODUCT FEATURES



# Before Use

Avoid damage to the speakers and other components:

- Unbox the speakers carefully to avoid physically damaging your speakers.
- Use appropriate gauge wires
- Make sure wire polarity is connected correctly. Most speaker cables are coded for ease of use. Make sure positive (red) connection on the amplifier terminal is connected to the positive (red) on your speakers.
- Follow the same instructions for the negative side.
- Strip off approximately 1/2" of the insulation from the ends of the speaker cable, twist the bare strands and insert into the Euroblock
- Ensure your equipment is turned off before connecting speakers.
- Check to ensure positive and negative wires are not touching each other once they're connected to the speaker terminals.



## Wire Recommendation

The gauge of the wire significantly affects the performance of your speakers. For optimal results, use multi-stranded wire specifically designed for amplifier-to-speaker connections.

When selecting the wire gauge, consider the length of the wire run to each speaker. Longer wire runs require larger gauge wire to maintain performance and minimize signal loss.

WIRE GAUGE CHART	
WIRE GAUGE	DISTANCE
18 Gauge	Up to 100 feet (30 meters)
16 Gauge	Up to 150 feet (45 meters)
14 Gauge	Up to 250 feet (80 meters)
12 Gauge	Up to 400 feet (122 meters)
10 Gauge	Up to 650 feet (198 meters)

# Speaker Placement

---

## WEATHER RESISTANCE AND DURABILITY

- The ELAC Muro Pro speakers are IP66 rated, ensuring they are weather-resistant and capable of delivering exceptional performance for years, even in challenging outdoor environments.

## MOUNTING FLEXIBILITY

- The included bracket system allows for easy installation of the speakers in various positions and locations to suit your needs.

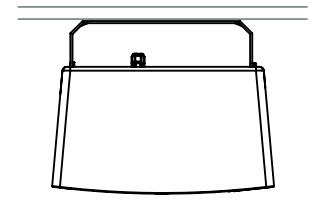
## OPTIMAL PLACEMENT

- For the best sound performance, place the speakers at ear level, facing the listener.
- If the speakers must be mounted above or below ear level, pivot them up or down to direct the sound toward the listener.

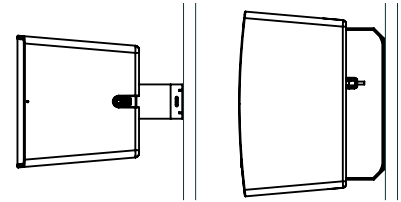
## ORIENTATION OPTIONS

- The speakers can be oriented horizontally or vertically without any impact on sound quality, giving you flexibility in how you install them.

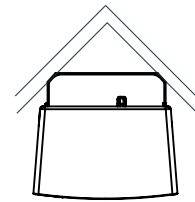
By following these recommendations, you can enjoy the full audio potential of your ELAC Muro speakers in any outdoor setting.



Ceiling Mount



Wall Mount



Corner Mount

---

## WALL/CEILING MOUNT INSTRUCTIONS

---

To ensure safe and secure installation, follow these guidelines when mounting your speaker:

### SECURE MOUNTING SURFACE

- The bracket must be attached to a structurally sound surface that can support the weight of the speaker and withstand vibrations during operation.

### SCREW REQUIREMENTS

- Always use two screw points for mounting.
- Recommended screw sizes:
  - #14 to #20 diameter x 2" length
  - M6 to M8 diameter x 50mm length

### SURFACE-SPECIFIC INSTALLATION

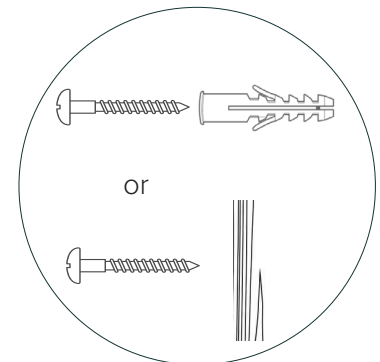
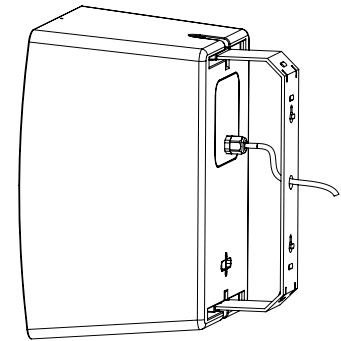
- For drywall or plasterboard, secure the bracket to a joist or stud.
- For brick or concrete, use wall plugs or concrete anchors to ensure stability.

### SAFETY PRECAUTION

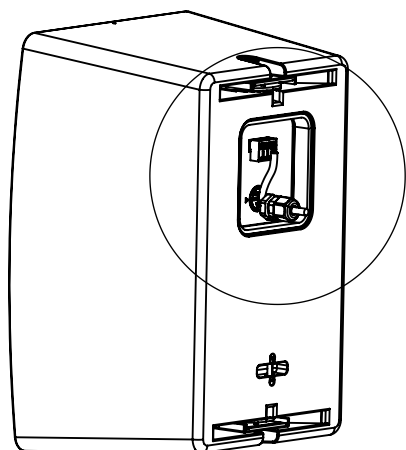
- Attach a safety cable to the U-bolt on the back of the speaker for additional security.

### PIVOTING THE SPEAKERS

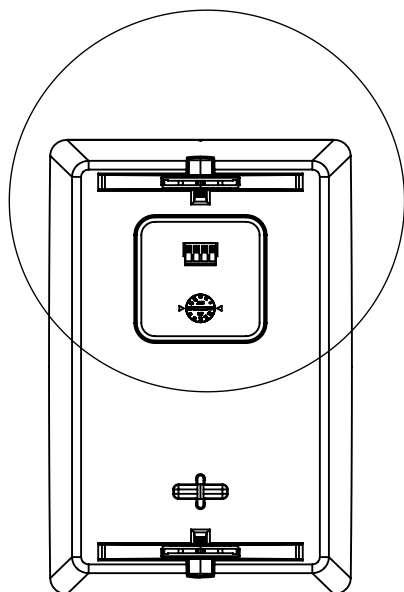
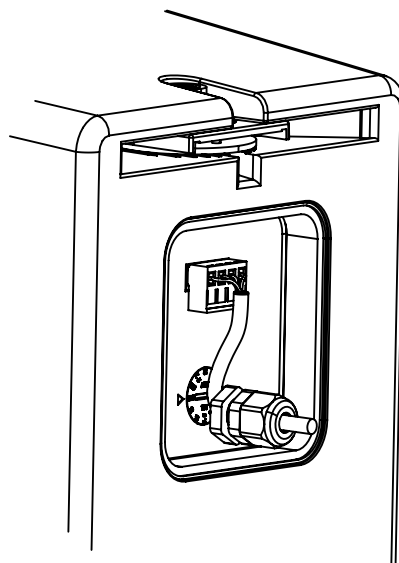
- You can rotate the speaker in the bracket to direct the sound towards the listeners.
- Loosen the side bolts on the speaker
- Rotate the speakers to the desired position.
- Lock the side bolts on the speaker



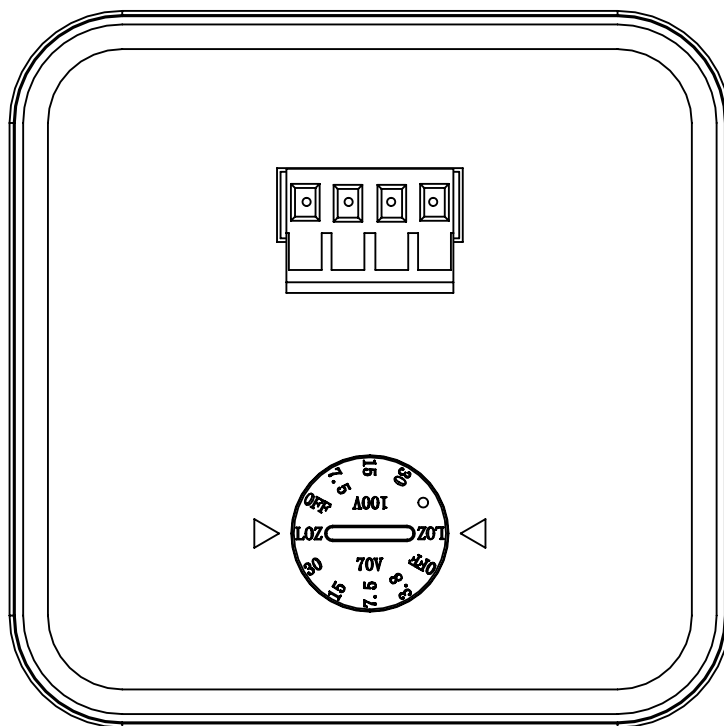
# Details



Route wire through grommet and tighten grommet to create a seal.

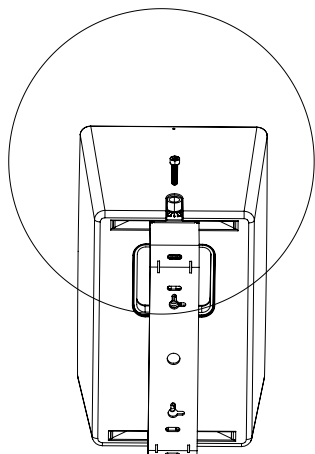


Tap settings for 70/100Volt located behind rear cover

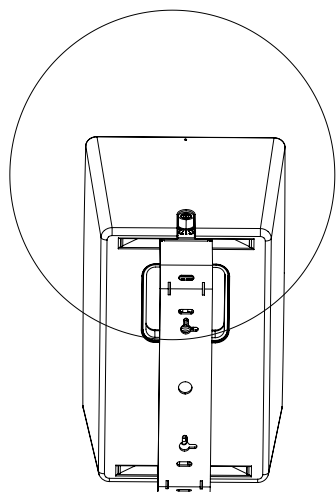
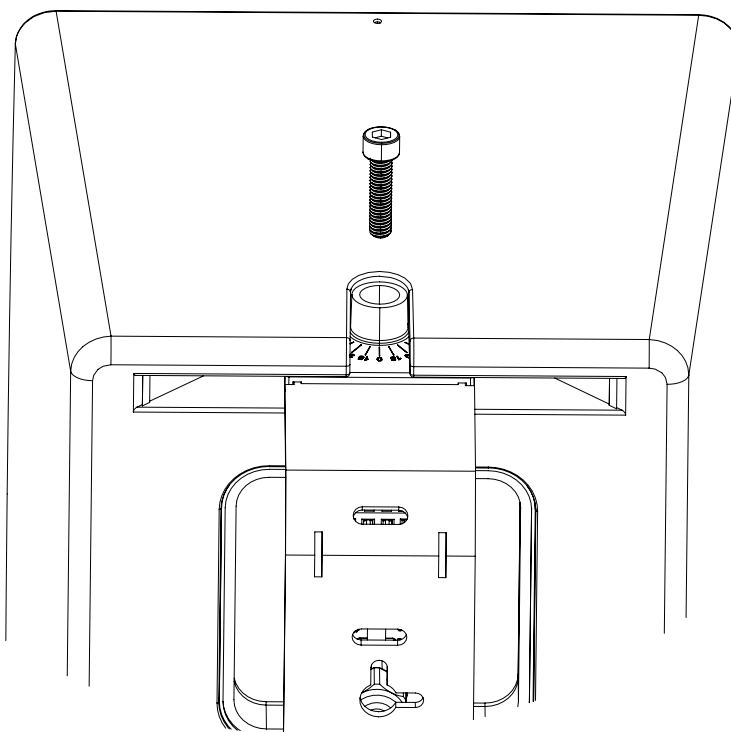


# Details

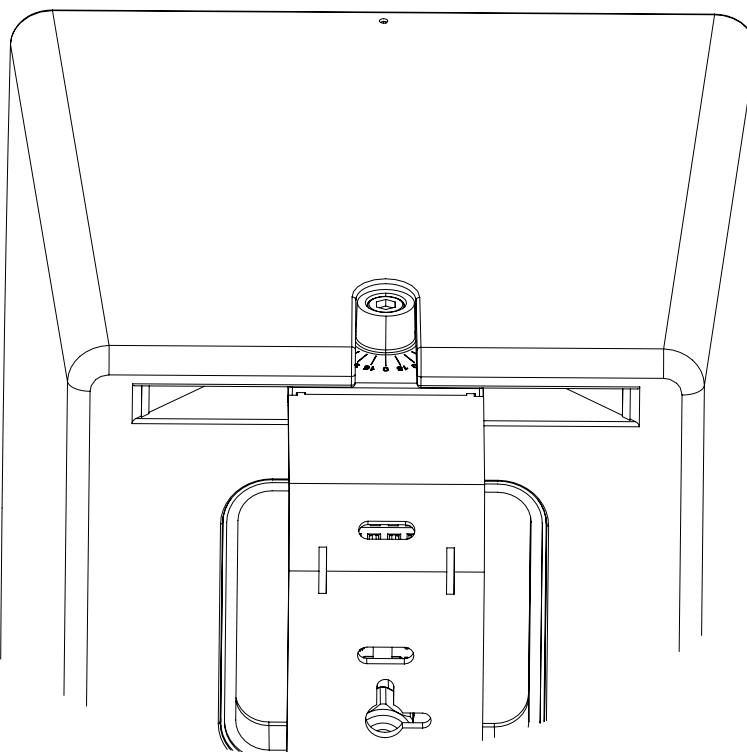
---



Mounting screw to bracket inserted through shoulder mount.

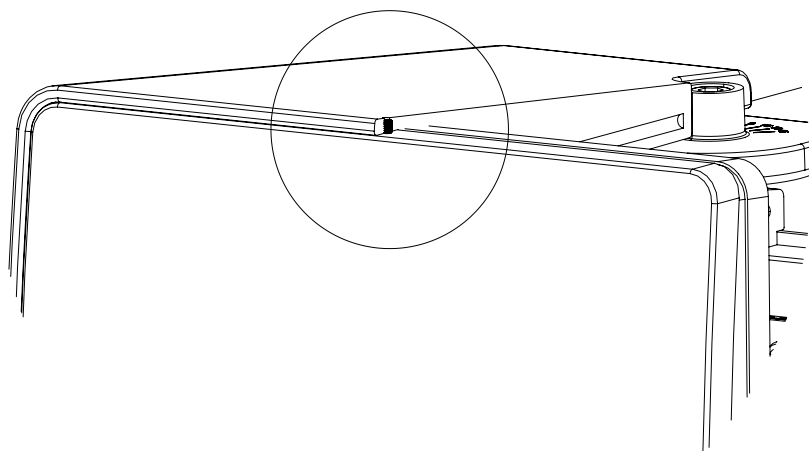


Shoulder mount has marking in 15 degrees increments facilitating alignment of multiple speakers.

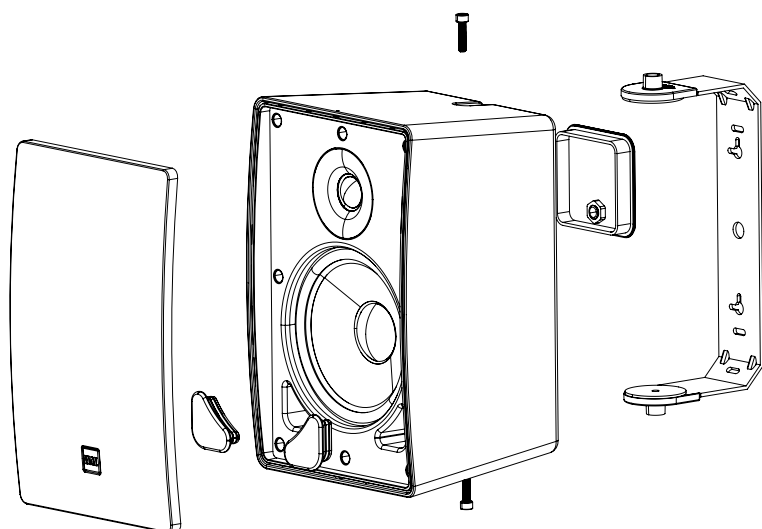


# SEALED - VENTED DESIGN

---



Remove the Grille locking screw on top and bottom of speaker to gain access to the front of the speaker.

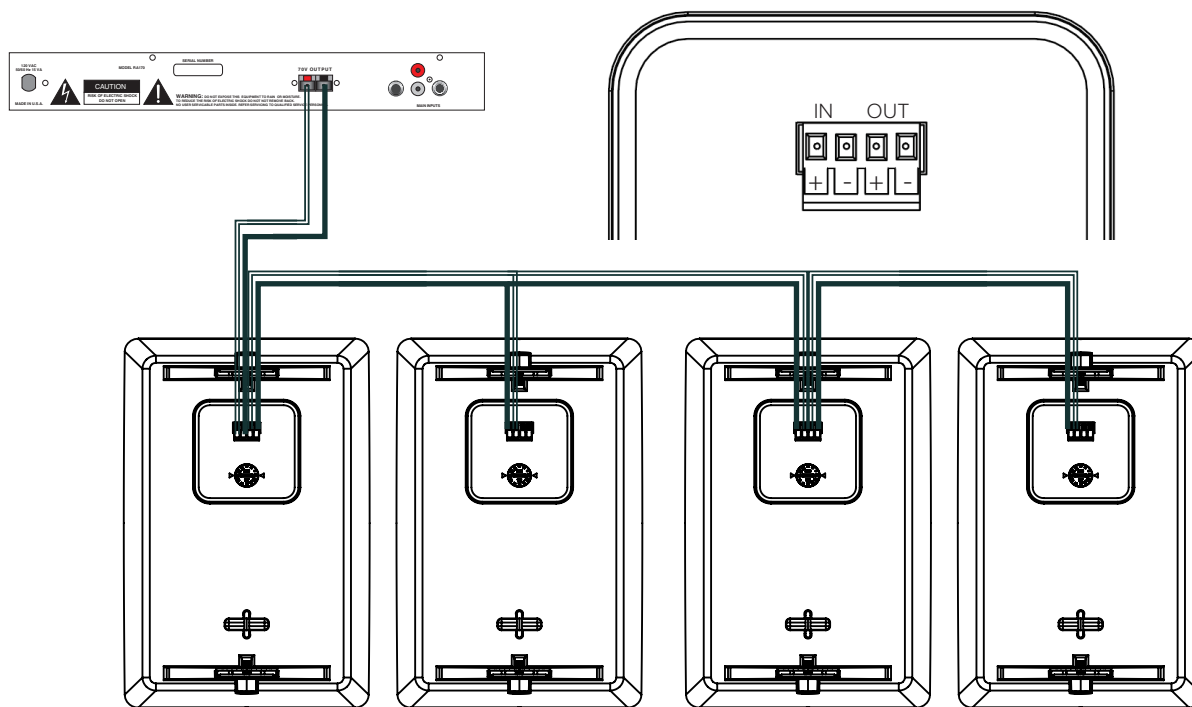


Removable port plugs transform the design into a ported configuration for enhanced bass performance when weather conditions permit.



# WIRING AND SETTING 70/100 VOLT TAP

---



The 70/100-Volt tap allows you to adjust the power level for your speaker in distributed audio systems.

## CHOOSE THE DESIRED WATTAGE

- Rotate the dial or adjust the switch to the wattage setting appropriate for your system's power requirements. Available wattage options will typically be marked (e.g., 3.8W, 7W, 15W).

## SETTING 70/100-VOLT TAPS WITHOUT EXCEEDING AMPLIFIER POWER RATING

- When configuring a distributed audio system, it's essential to ensure the total power draw of the speakers does not exceed the amplifier's power rating. Follow these steps:

## CHOOSE THE DESIRED WATTAGE

- Identify the amplifier's maximum power output (e.g., 120W, 250W).
- Add up the wattage settings (taps) of all speakers in the system.
- Example: If you have four speakers set to 20W each, the total load is 80W.
- Adjust each speaker's tap setting to ensure the total combined wattage does not exceed the amplifier's power rating.
- To avoid overloading, leave a 10-20% safety margin below the amplifier's maximum power.
- Example: For a 120W amp, keep the total speaker load below 100-110W.

# SPECIFICATIONS

	OD-M61T	OD-M81T
SPEAKER TYPE	2-WAY SEALED/PORTED DESIGN	
FREQUENCY RESPONSE -3 dB:	80 TO 20KHZ	70 TO 20KHZ
FREQUENCY RESPONSE -6 dB:	65 TO 20KHZ	55 TO 20KHZ
TRANSFORMER TAP	100V 8Ω * 30W 15W 7.5W 70V 8Ω 30W 15W 7.5W 3.8W	100V 8Ω * 60W 30 15W 70V 8Ω 60W 30W 15W 7.5W
NOMINAL IMPEDANCE	8Ω ±20% @ LOW-Z	8Ω ±20% @ LOW-Z
SENSITIVITY @2.83 V/1M	87.5 dB	87.5 dB
CROSSOVER FREQUENCY	500 Hz, 2100 Hz	550 Hz, 2000 Hz
RECOMMENDED AMPLIFIER POWER	30 - 150 W	30 - 180 W
NOMINAL/PEAK POWER HANDLING	80/130 W	100/150 W
TWEETER	25mm Silk Dome Tweeter with 2-layer Copper-Clad Aluminum Voice Coil	
WOOFER (ARAMID-FIBER)	8 " 25MM POLYPROPYLENE CONE, RUBBER SURROUND	
CABINET	UV-Resistant Plastic	
CABINET FINISH	Black - White	
PORT	Sealed with Option for Ported Design	
SPEAKER CONNECTION	4 Position Euroblock	
WIDTH (IN / MM)	6.8/172	7.7/195
HEIGHT (IN / MM)	40.6/1030	43.1/1094
DEPTH (IN / MM)	9.7/246	10.6/268
Net Weight (lbs / KG)	34.6/15.7	38.8/17.6

# WARRANTY

---

ELAC Americas Inc.

## North America Limited Liability Warranty

ELAC Americas Inc. warrants to the original purchaser that this product be free from defects and or workmanship for a period of 3 (Three) years from the original date of purchase. During this time period, repair or replacement of parts will be free of charge to the original owner (See below limitations). Shipping to and return from the repair center will be the responsibility of the original purchaser.

### Limitations

- Warranty begins on the date of original purchase from an authorized ELAC Americas Inc. dealer.
- Product is warranted only if used in home applications within the max power rating specified in this manual. Commercial use of this product is not warranted.
- Product that has been modified or altered in anyway will not be warranted.
- Product that has been abused or subjected to faulty equipment will not be warranted.
- Products with defaced or removed serial numbers will not be warranted.

### If service is required

In the event that service is required, please contact ELAC America at 888-541-0996 or at [customerservice@elac.us](mailto:customerservice@elac.us) to arrange for service or replacement. You will be responsible to provide proof of purchase (Copy or original sales receipt). Shipping to and from our repair center will be the responsibility of the original purchaser.

### Warranty Outside of North America

This warranty applies to products purchased in the United States and Canada. For warranty claims outside of North America please contact the local dealer/distributor in the country of purchase.



**ELAC** The life of sound.

ELAC AMERICAS INC.  
1938 N. BATAVIA St. SUITE K  
ORANGE, CA 92865

ELAC ELECTROACUSTIC GMBH  
FRAUNHOFERSTRASSE 16  
D-24118 KIEL, GERMANY